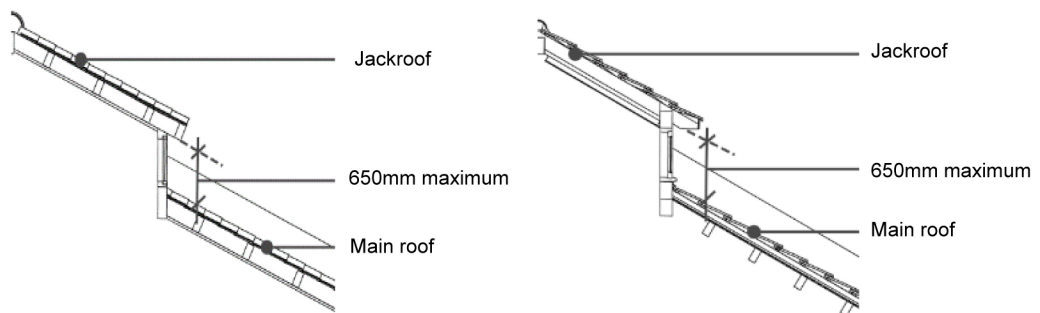
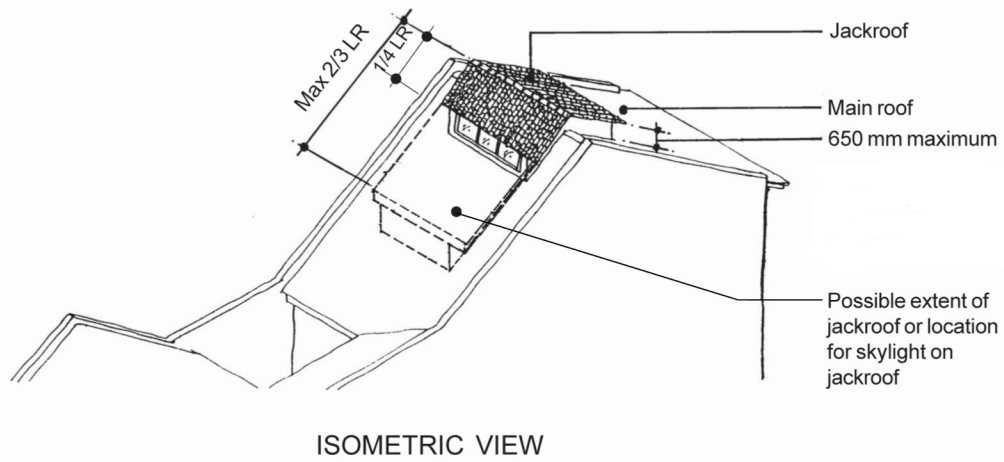
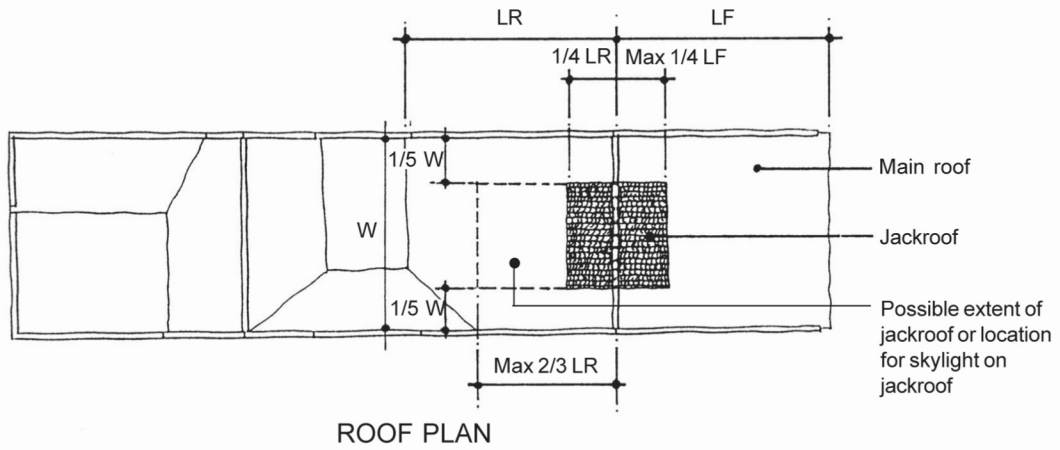


**Figure 3 : Jackroof and Skylight on Jackroof**



**ALLOWABLE HEIGHT OF JACKROOF**

**NOTE :** - If a link is added, the rear slope of the new jackroof at the conserved building cannot be longer than 1/4 of the main rear roof slope length.